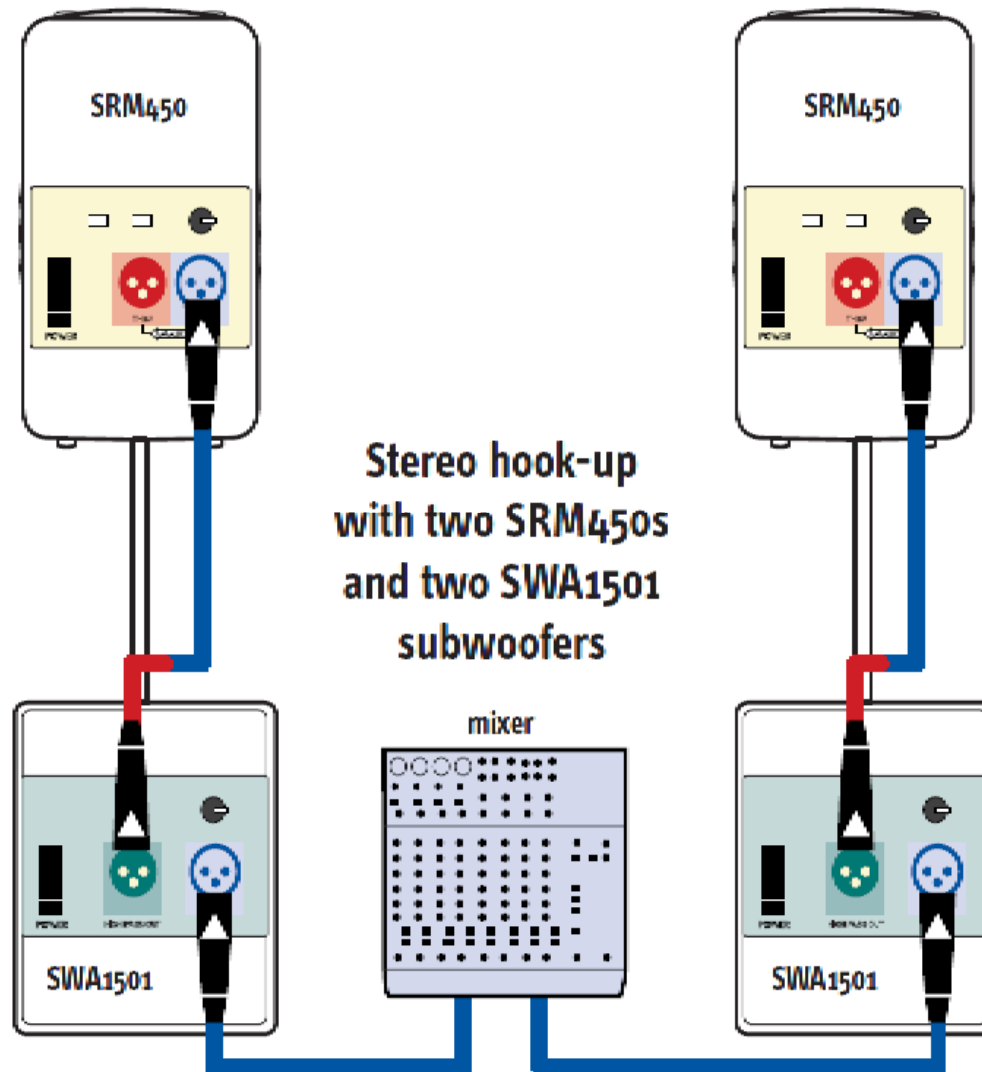


# Mackie 2Kw Rig Setup Guide



Stereo hook-up  
with two SRM450s  
and two SWA1501  
subwoofers

Connect the Main Outs  
on your mixer to the inputs  
of your SWA1501 Subwoofers,  
then from the Hi-Pass  
Thru connector of the  
subwoofers to  
the SRM450 inputs.